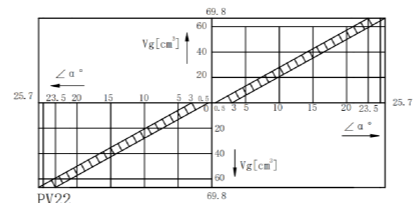
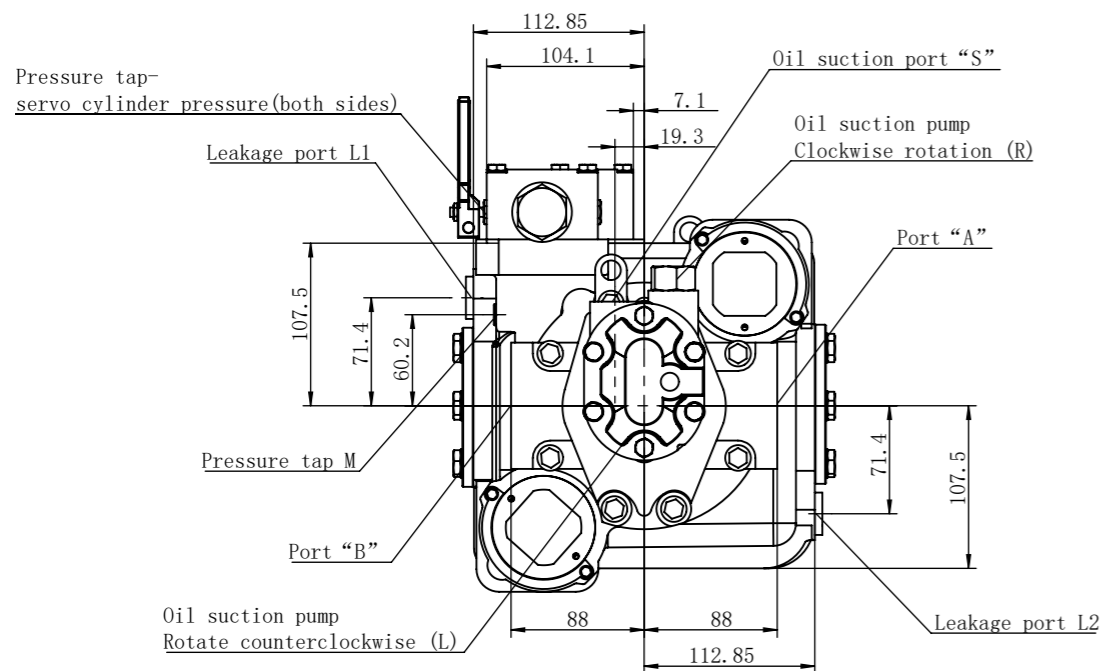
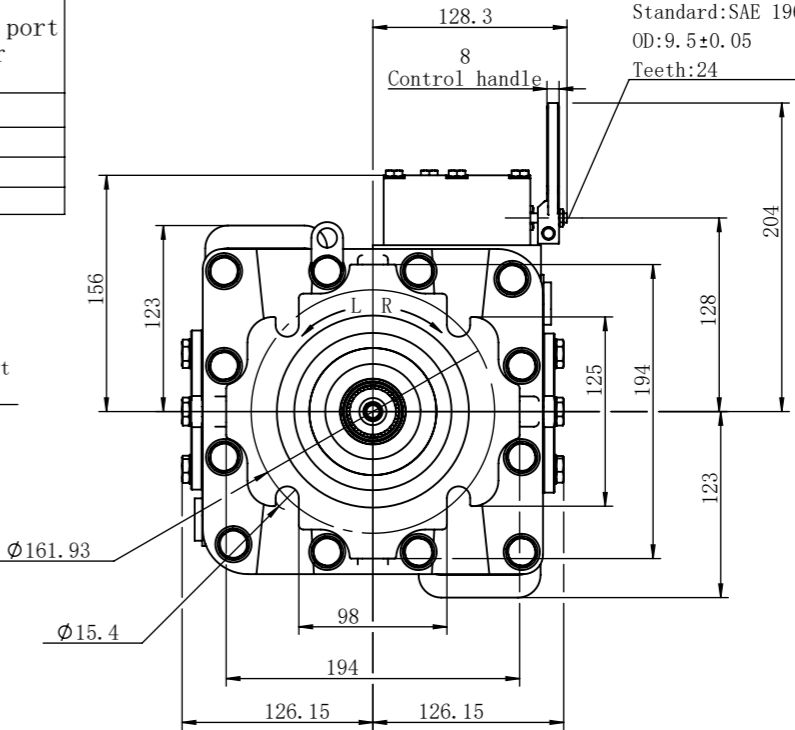
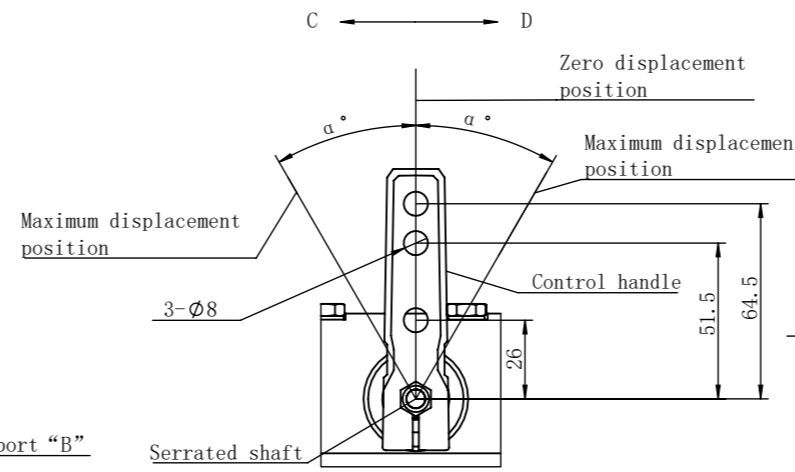
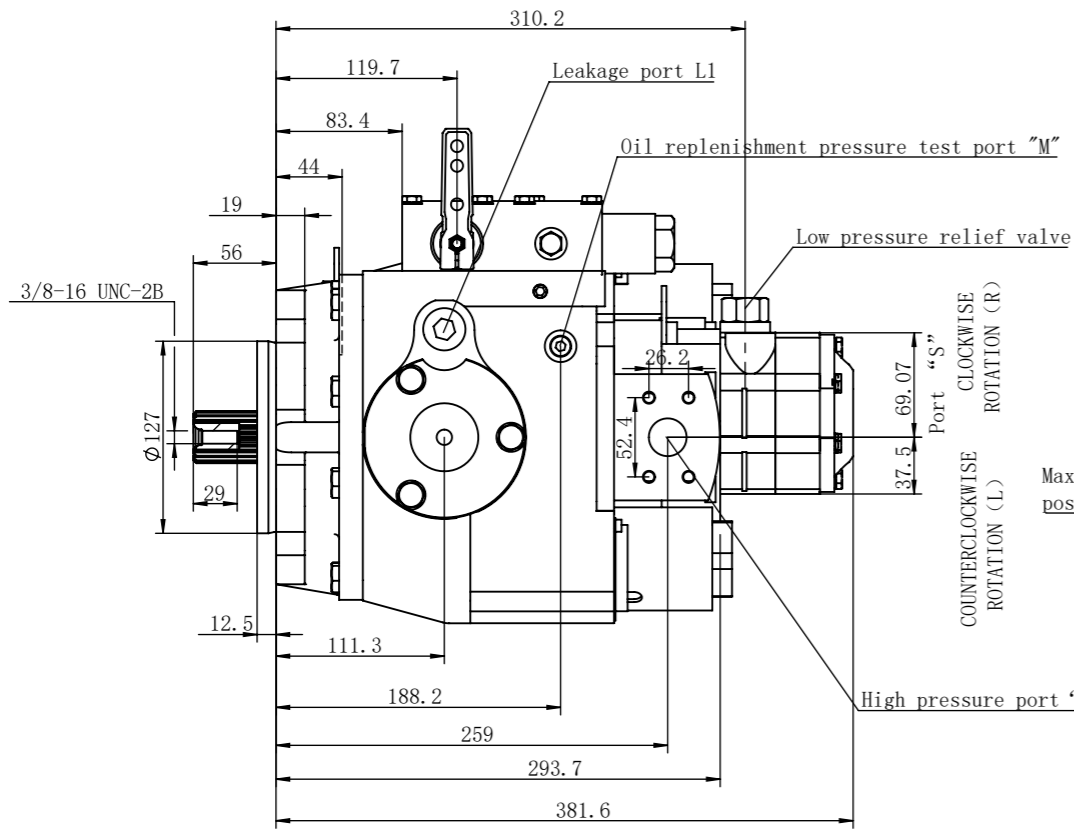


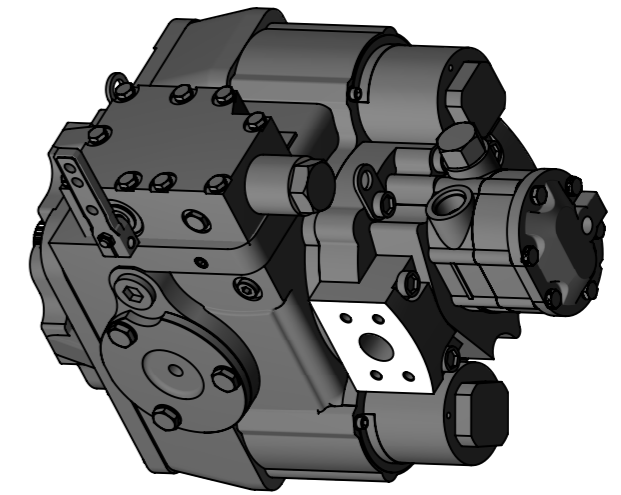
PV22-MA-R-21

Control handle spline shaft data:
 1/4-20 UNC-2A
 Diametrical pitch: 64/128
 Radial angle varibale: 64
 Standard:SAE 1963
 OD:9.5±0.05
 Teeth:24

Pump rotation direction	Control handle Rotation direction	Pressure port Outbound	Pressure port enter
Clockwise (R)	C	A	B
	D	B	A
Counterclockwise (L)	C	B	A
	D	A	B



EP	Electric Propprtional servo control	
HS	Hydraulic servo control	



technical requirement	
Minimum speed	500r/min
maximum speed	3200r/min
Rated working pressure	30Mpa
Maximum working pressure	42Mpa

Propeller shaft spline				Conical axis		Displacement	Oil suction pressure	Oil suction displacement	Ports A、B		Ports L1、L2	Port S	Port M
Teeth	Z	14	21	Lock nut	1-20 UNEF-2B wrench: 38	69.8 ml/r	1.5-1.8 Mpa	18	3/8-16 UNC-2B Depth: 25mm		7/8-14 UNF-2B	7/16-20 UNF-2B	
Radial pitch	M	12/24	16/32						A6 mm[in]	A7 mm[in]			
Pressure angle	a	30°	30°						52.4	26.2			
Dividing circle diameter	D	Ø29.63	Ø33.34										

	Product model	PV22-MA-R-21		
	Product name	Closed axial piston pump		
Date	Weight (kg)	Proportion	Shandong Highland Hydraulic Seiko Co., Ltd	
	63	1:5		