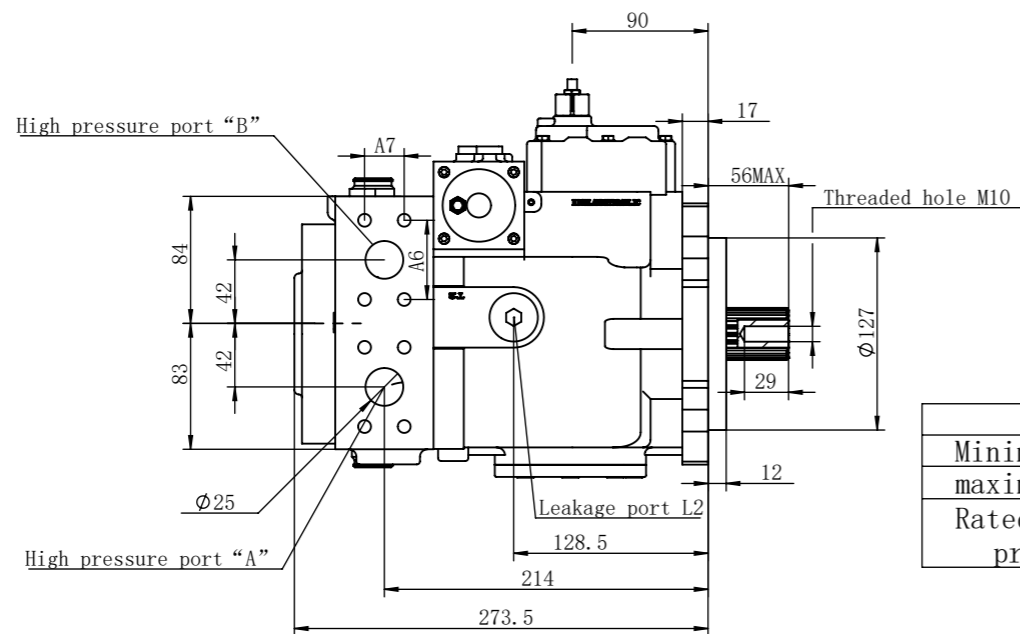
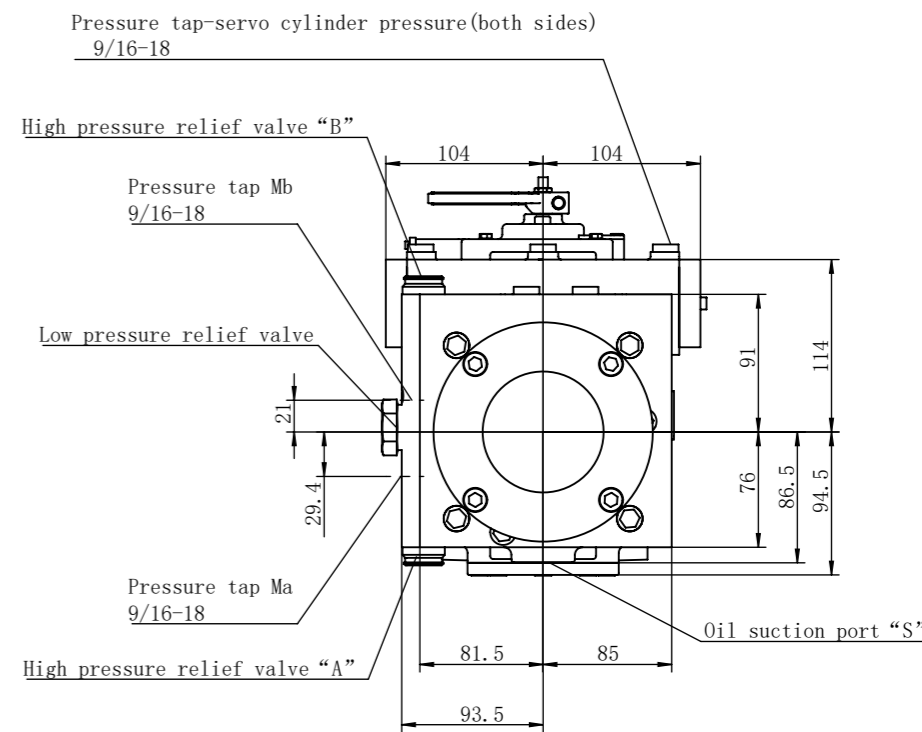


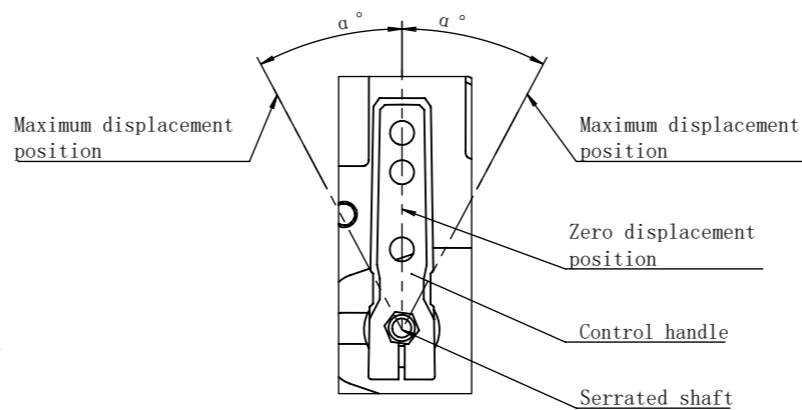
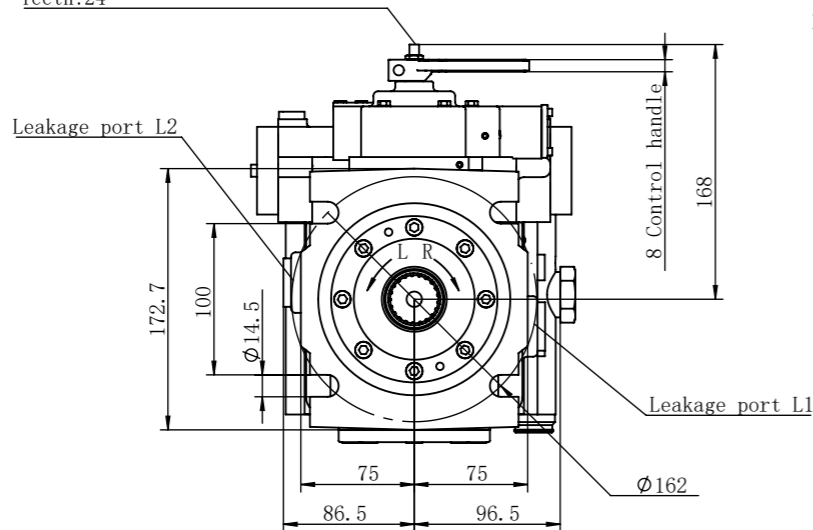
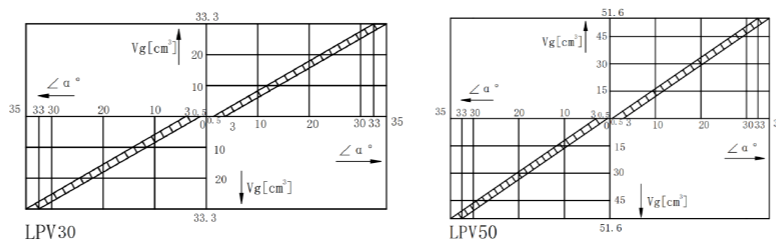
LPV30/50-MA-R/L-121/14-NN



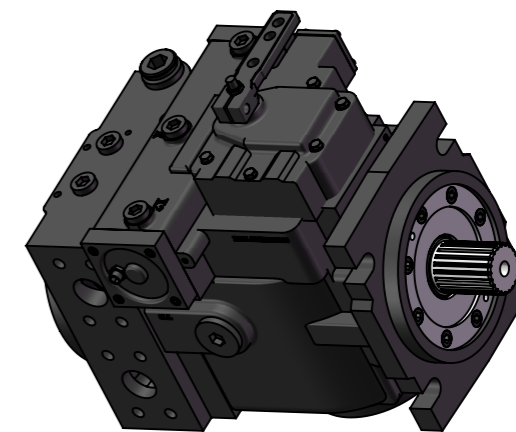
technical requirement	
Minimum speed	500r/min
maximum speed	3500r/min
Rated working pressure	30Mpa



Control handle spline shaft data:
 1/4-20 UNC-2A
 Diametrical pitch: 64/128
 Radial angle varibale: 64
 Standard:SAE 1963
 OD:9.5±0.05
 Teeth:24



EP	Electric Propprtional servo control	
HS	Hydraulic servo control	



Propeller shaft spline				Displacement	Oil suction pressure	Oil suction displacement	Ports A, B		Ports L1, L2	Port S	High pressure relief valve A, B
Teeth	Z	21	14				M10 Depth: 25mm	A6 mm[in]			
Radial pitch	M	16/32	12/24	30/50 ml/r	1.8-2.4 Mpa	11	52.4	26.2	1 1/16-12	1 5/16-12	32Mpa 35Mpa 40Mpa
Pressure angle	a	30°	30°								
Dividing circle diameter	D	Ø33.34	Ø29.63								

	Product model	LPV30/50-MA-R/L-21/14-NN	
	Product name	Closed axial piston pump	
Date	Weight (kg)	Proportion	Shangdong Highland Hydraulic Seiko Co.,Ltd
	44	1:5	