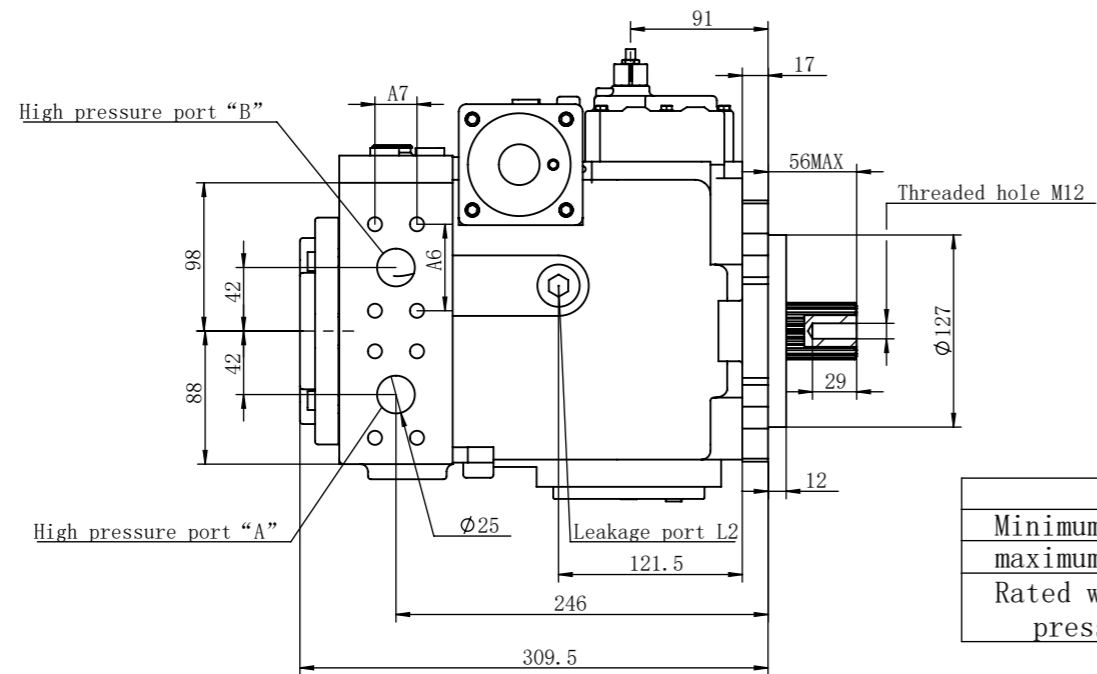
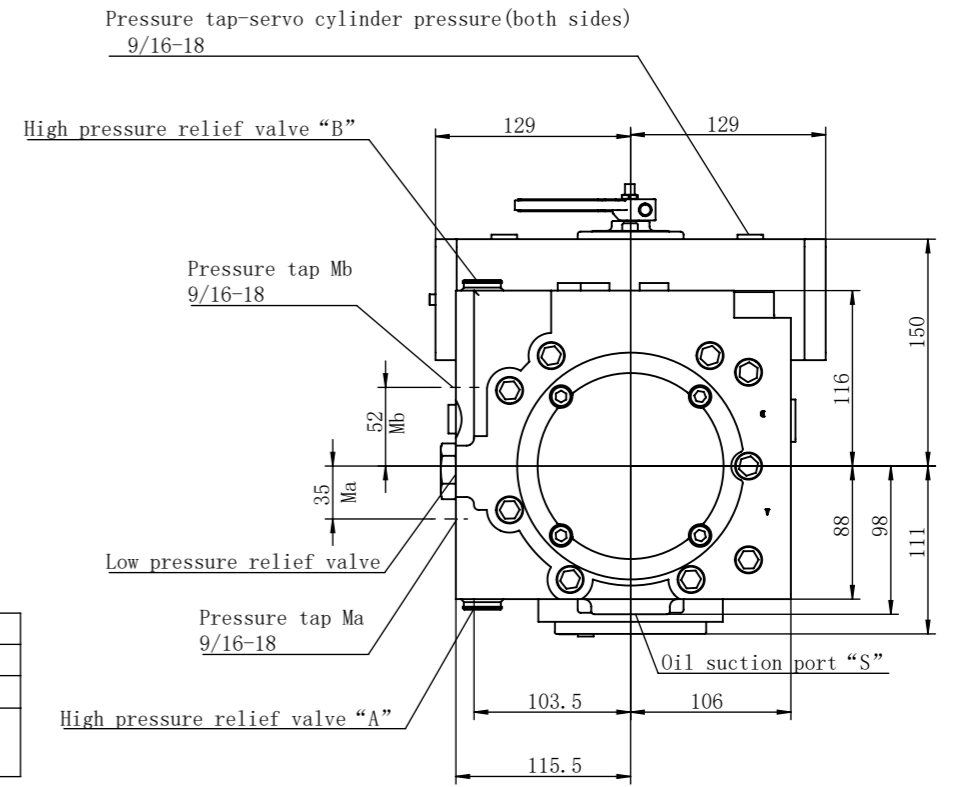
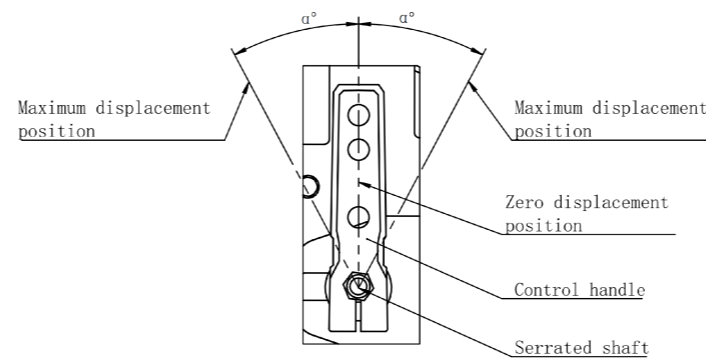
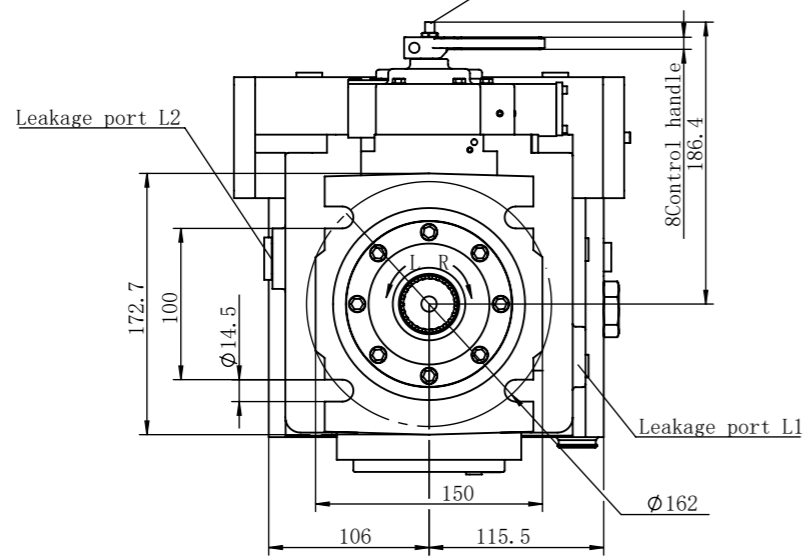
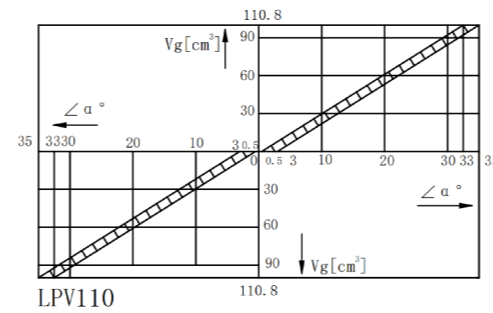


LPV110-MA-R/L-23/13/14-NN

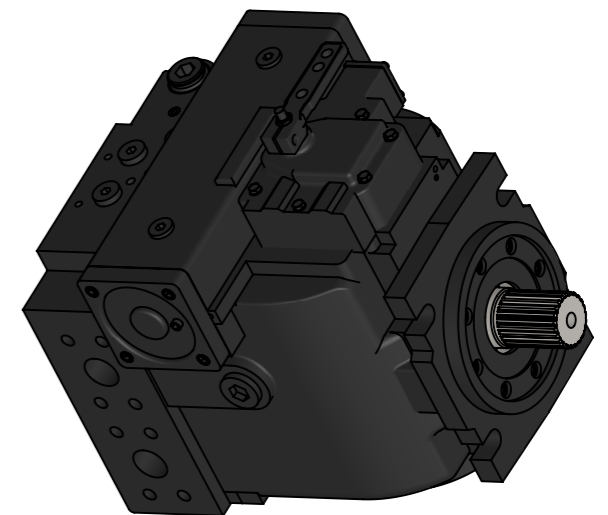


technical requirement	
Minimum speed	500r/min
maximum speed	2900r/min
Rated working pressure	30Mpa

Control handle spline shaft data:  
 1/4-20 UNC-2A  
 Diametrical pitch: 64/128  
 Radial angle varibale: 64  
 Standard:SAE 1963  
 OD:9.5±0.05  
 Teeth:24



EP	Electric Propprtional servo control	
HS	Hydraulic servo control	



Propeller shaft spline					Displacement	Oil suction pressure	Oil suction displacement	Ports A, B		Ports L1, L2	Port S	High pressure relief valve A, B
Teeth	Z			M12 Depth: 25mm								
		23	13	14	110 ml/r	1.8-2.4 Mpa	28	A6 mm[in]	A7 mm[in]	1 1/16-12	1 5/8-12	32Mpa 35Mpa 40Mpa
Radial pitch	M	16/32	8/16	12/24				57.2	27.8			
Pressure angle	a	30°	30°	30°								
Dividing circle diameter	D	∅36.5	∅41.38	∅29.63								



Product model	LPV110-MA-R/L-23/13/14-NN	
Product name	Closed axial piston pump	
Date	Weight (kg)	Proportion
	71	1:5
Shandong Highland Hydraulic Seiko Co., Ltd		