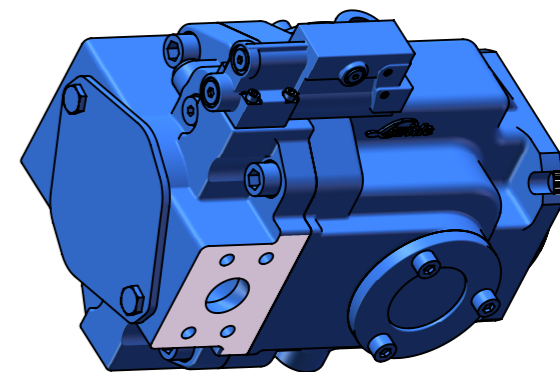
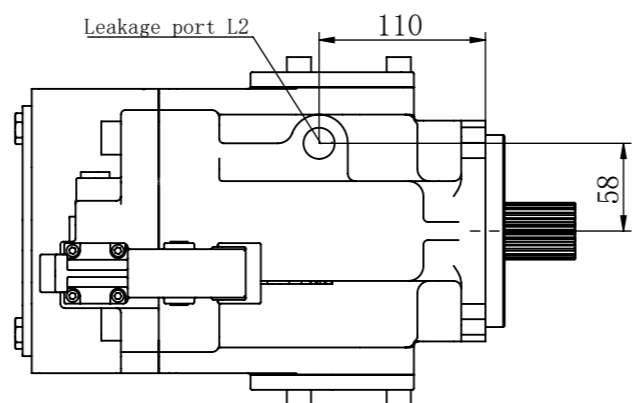
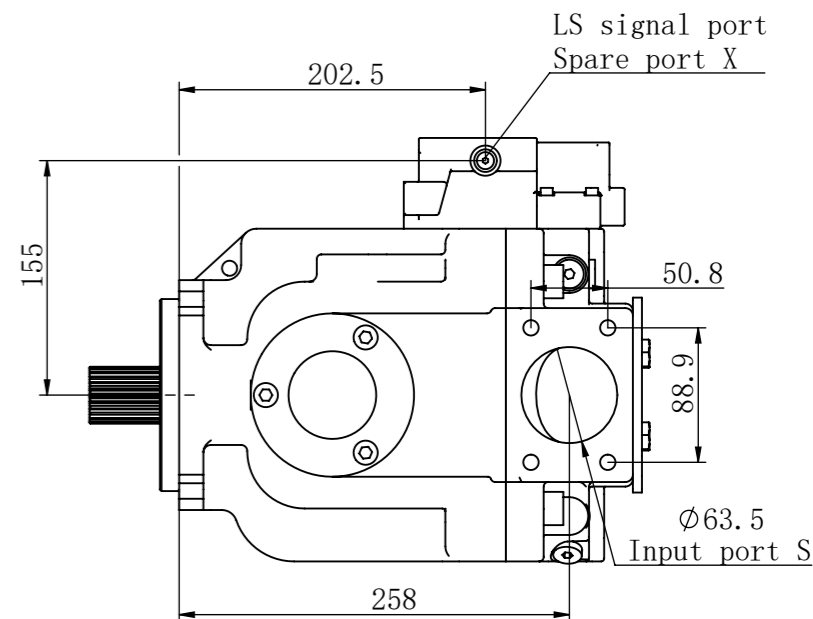
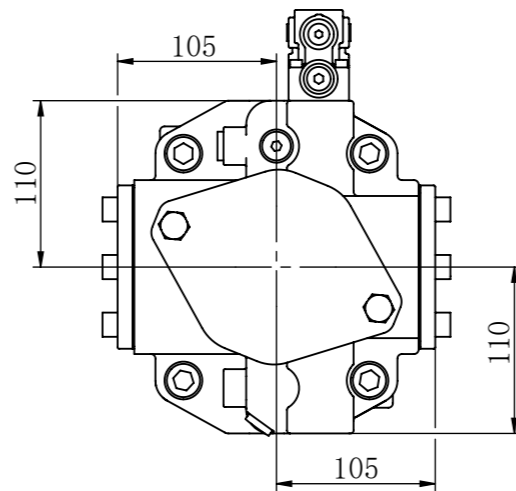
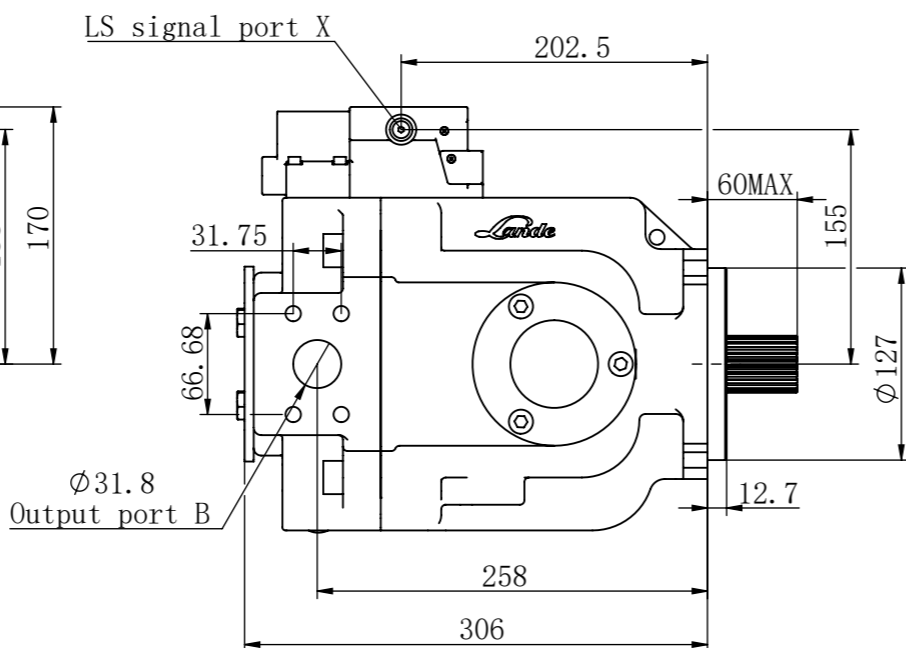
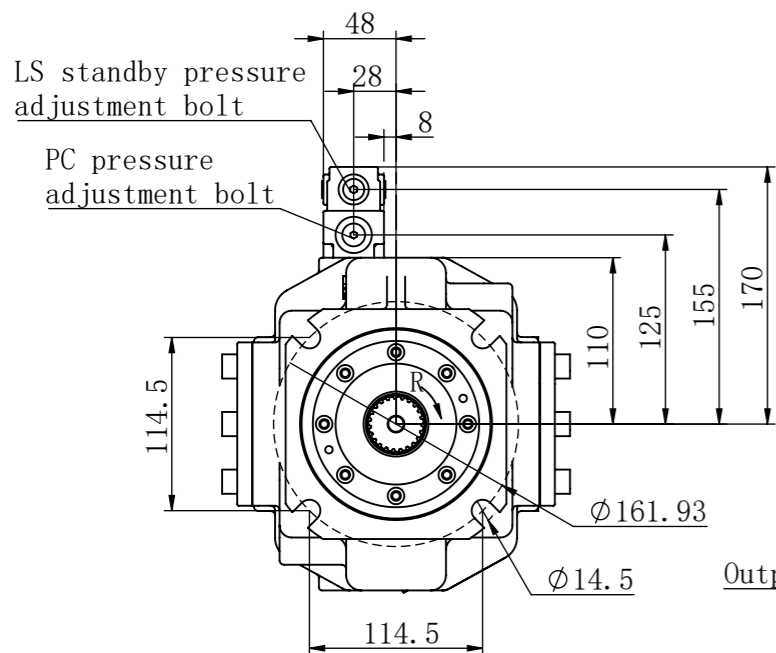
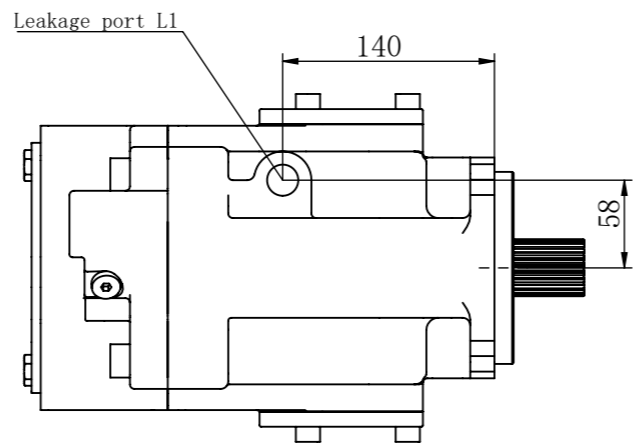



HF70/90C-R-23-NN



HFR	70/90	C	L/R	23	N
HF series Open axial piston pump	Displacement	LS:Load sensitive /Pressure compensation	L:Left Spin R:Dextral	Input shaft	Auxiliary mounting flange NN:No AD:SAE A, 9Tooth, 16/32Pitch BG:SAE B, 13Tooth, 16/32Pitch BB:SAE B, 15Tooth, 16/32Pitch

Propeller shaft spline						Displacement	Input port S and Output port B	Ports L1, L2	LS signal port X	LS setpoint range	PC control setpoint range
Teeth	Z	21	23	14	17						
Radial pitch	M	16/32	16/32	12/24	12/24						
Pressure angle	a	30°	30°	30°	30°						
Dividing circle diameter	D	Ø33.34	Ø36.5	Ø29.63	Ø36						

	Product model		HFR70/90C-R-23-NN
	Product name		Open axial piston pump
	Date	Weight (kg)	Proportion
	46	1:5	