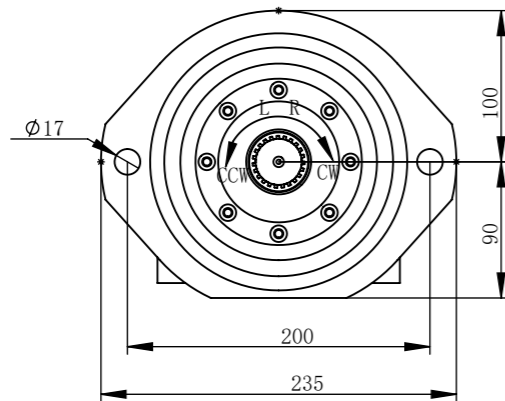
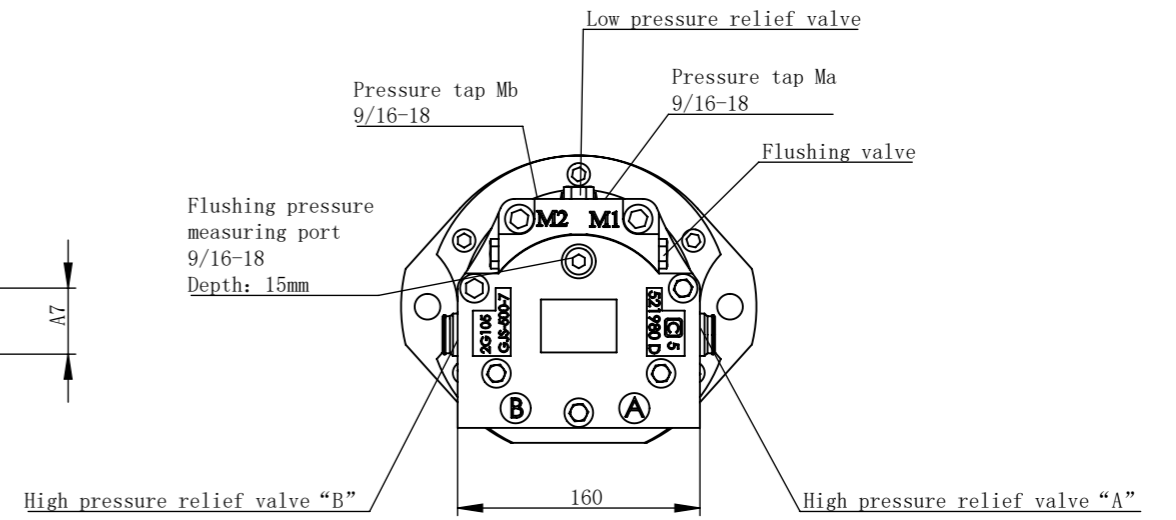
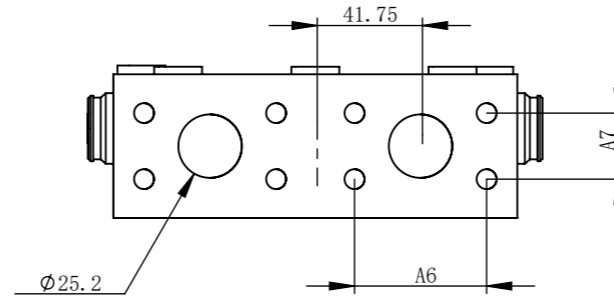
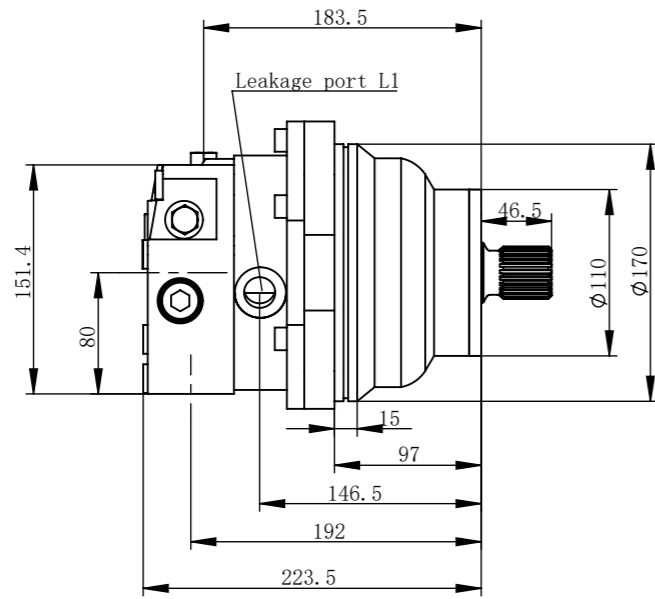
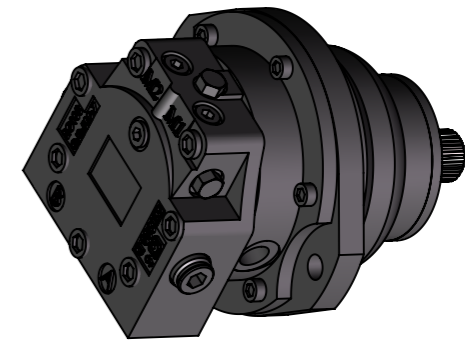


HMFC30/50-21




technical requirement	
Minimum speed	500r/min
maximum speed	3500r/min
Rated working pressure	30Mpa

Motor shaft rotation direction		
	Port A	Port B
Clockwise CW	out	enter
Counterclockwise CCW	enter	out



Propeller shaft spline				Displacement 30/50 ml/r	Ports A、B		Ports L1、L2 7/8-14 UNF-2B	High pressure relief valve A、B 32Mpa 35Mpa 40Mpa
Teeth	Z	21	14		3/8-16 UNC-2B Depth: 25mm			
Radial pitch	M	16/32	12/24		A6 mm[in]	A7 mm[in]		
Pressure angle	a	30°	30°		52.4	26.2		
Dividing circle diameter	D	∅33.34	∅29.63					

	Product model		HMFC30/50-21
	Product name		Plug in axial piston motor
Date	Weight (kg)	Proportion	Shandong Highland Hydraulic Seiko Co., Ltd
	30	1:5	