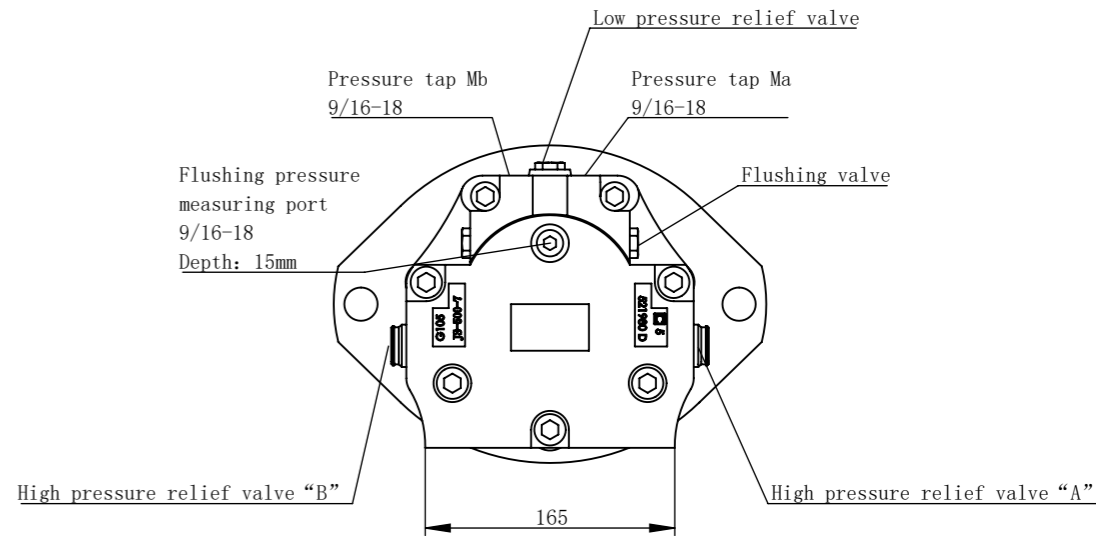
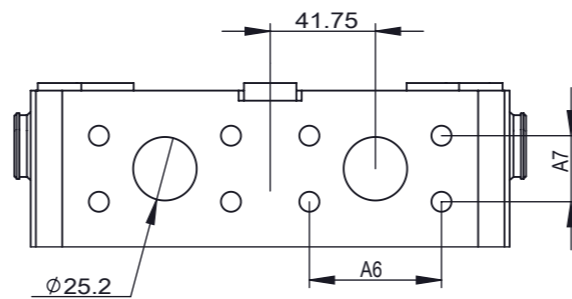
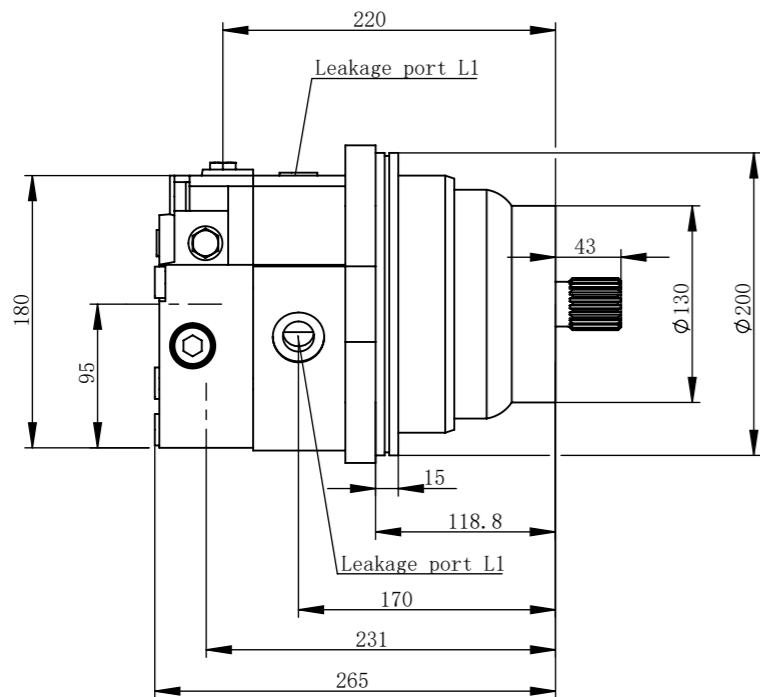
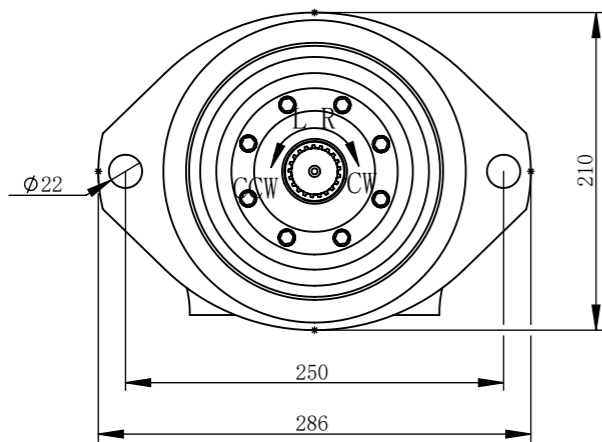


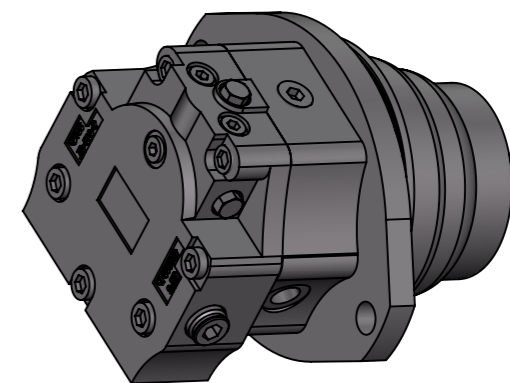
HMFC110/130-21



technical requirement	
Minimum speed	500r/min
maximum speed	3200r/min
Rated working pressure	30Mpa



Motor shaft rotation direction		
	Port A	Port B
Clockwise CW	out	enter
Counterclockwise CCW	enter	out



Propeller shaft spline						Displacement	Ports A、B		Ports L1、L2	High pressure relief valve A、B
Teeth	Z	21	23	14	18		3/8-16 UNC-2B Depth: 25mm			
Radial pitch	M	16/32	16/32	12/24	12/24	110/130 ml/r	A6	A7	7/8-14 UNF-2B	32Mpa 35Mpa 40Mpa
Pressure angle	a	30°	30°	30°	30°		mm[in]	mm[in]		
Dividing circle diameter	D	∅33.34	∅36.5	∅29.63	∅37.8		52.4	26.2		



Product model		HMFC110/130-21	
Product name		Plug in axial piston motor	
Date	Weight (kg)	Proportion	Shandong Highland Hydraulic Seiko Co., Ltd
	46	1:5	